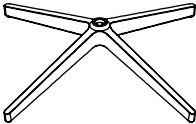
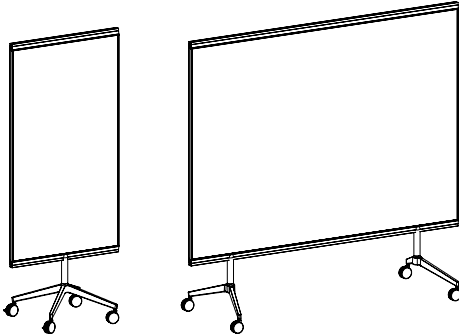


Mounting Instruction

M3 Mobile



A x 1



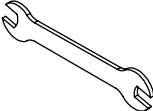
B x 4



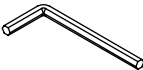
C x 1-2



D x 1-2



E x 1



F x 1



G x 1-2

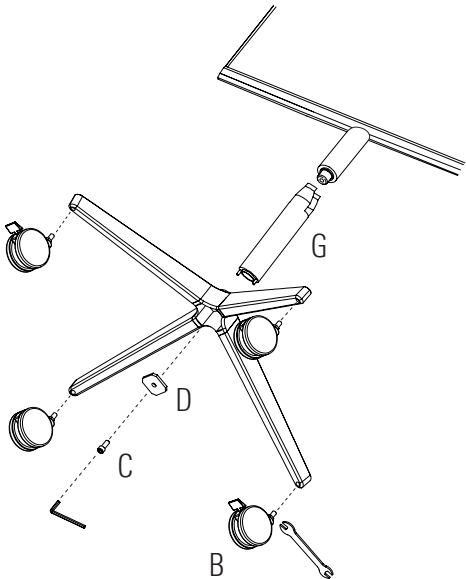


H x 1-2

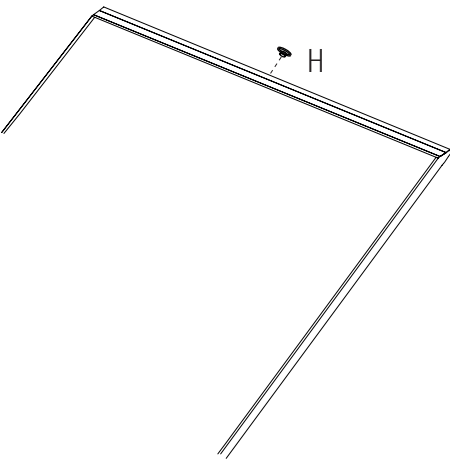


I x 2

1

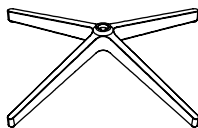
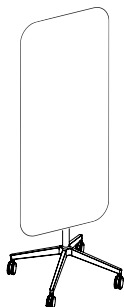
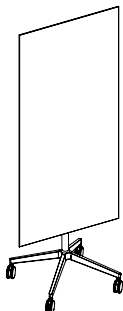


2



Mounting Instruction

Mood Mobile & Flow Mobile



A x 1



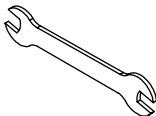
B x 4



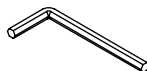
C x 1



D x 1



E x 1



F x 1



G x 2

1

