

NEOS

THANK YOU FOR PURCHASING OUR PRODUCT

READ THE MANUAL BEFORE ASSEMBLING AND USING THE CHAIR

THIS IS A STANDARD ASSEMBLY INSTRUCTIONS FOR A NOT ASSEMBLED VERSION

THE METHODS OF ASSEMBLY AND USE DEPEND ON THE OPTIONS YOU HAVE SELECTED FOR THE PRODUCT

ALL THE PICTURES INCLUDED IN THE MANUAL ARE PURELY ILLUSTRATIVE

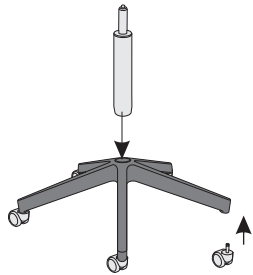
OPTIONALLY

ARMRESTS

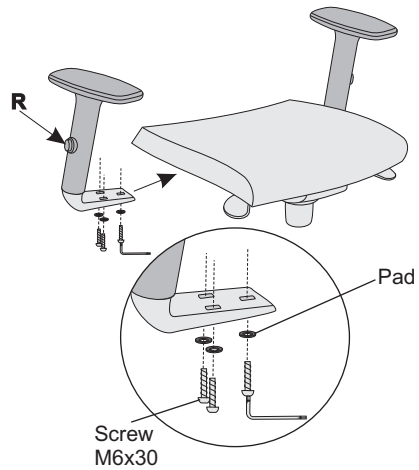


ASSEMBLY MANUAL

I

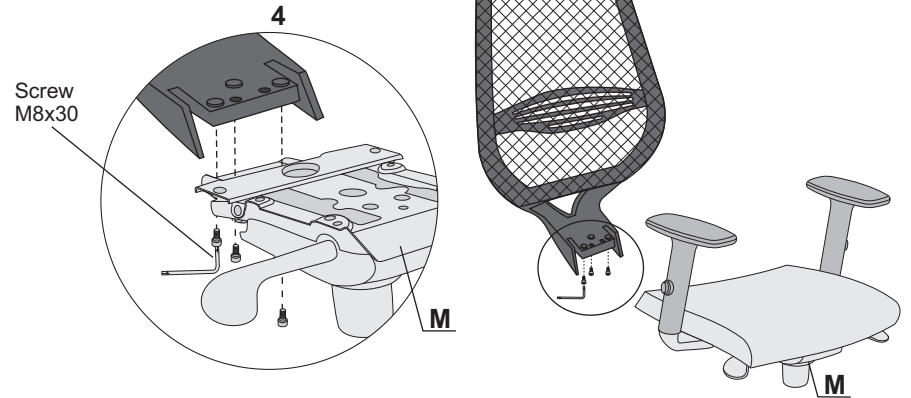
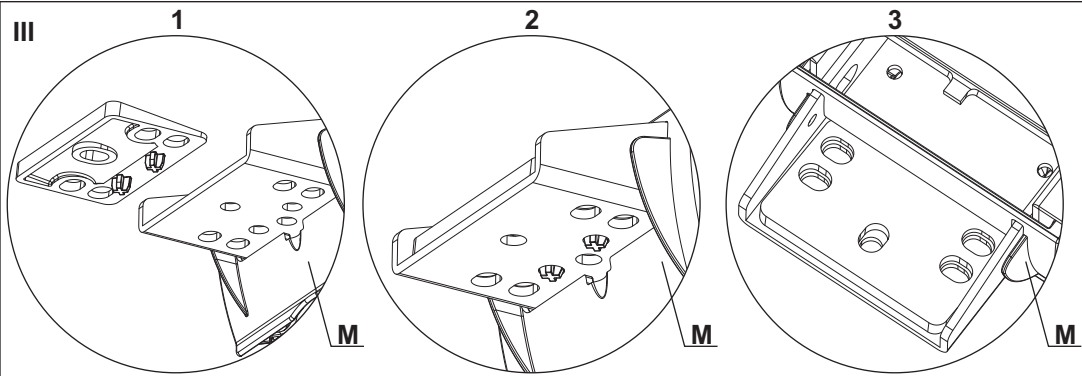


II

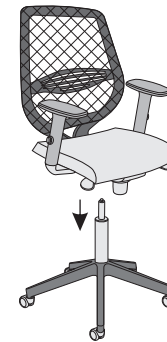


R35K2

III



IV



ADJUSTMENT RANGE

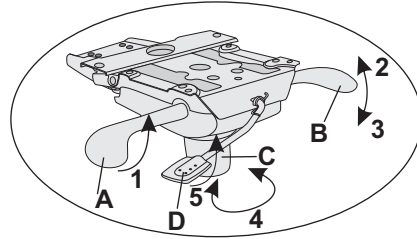
ARMREST TYPE „R”

- The arm height adjustment - R,
- Lumbar cushion height adjustment

GBUNI40

FS/FST

- A1 - seat height change
- B2 - free floating function
- B3 - seat lock in a selected position
- C4 - seat tilt force adjustment
- D5 - seat depth change



We remind you that the chair should be used for its intended purpose.
The chair is designed for one person.
You must not stand on the chair or use it to transport heavy objects.
You should not leave the chair in places with high humidity or next to heat sources.
The proper use will ensure long-lasting and failure-free operation of the chair.
It is recommended to check the fastenings, such as knobs and screws, periodically.
To clean the dirty upholstery cover, use the cleaning agents designed for upholstered furniture.
Plastic parts should be cleaned with widely available non-scratching cleaning agents.

NOTE!

The maximum chair load is 110 kg.

Disassembly of any chair components may result in a loss of warranty.

The pneumatic lift cannot be heated or dismantled. Replace it as a whole if necessary.

The chair can be repaired or the chair components can be replaced only by trained staff.

More information related to our products can be found at our websites.