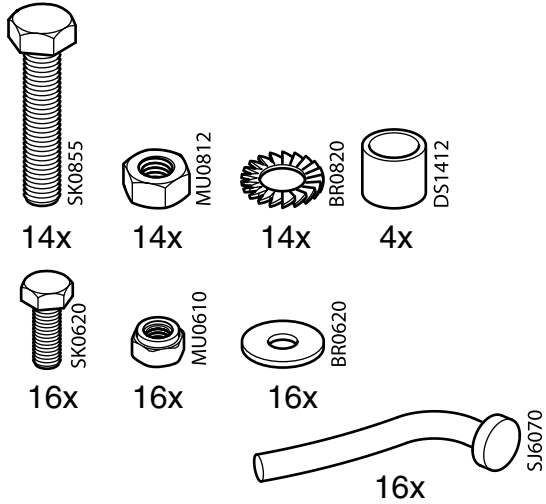
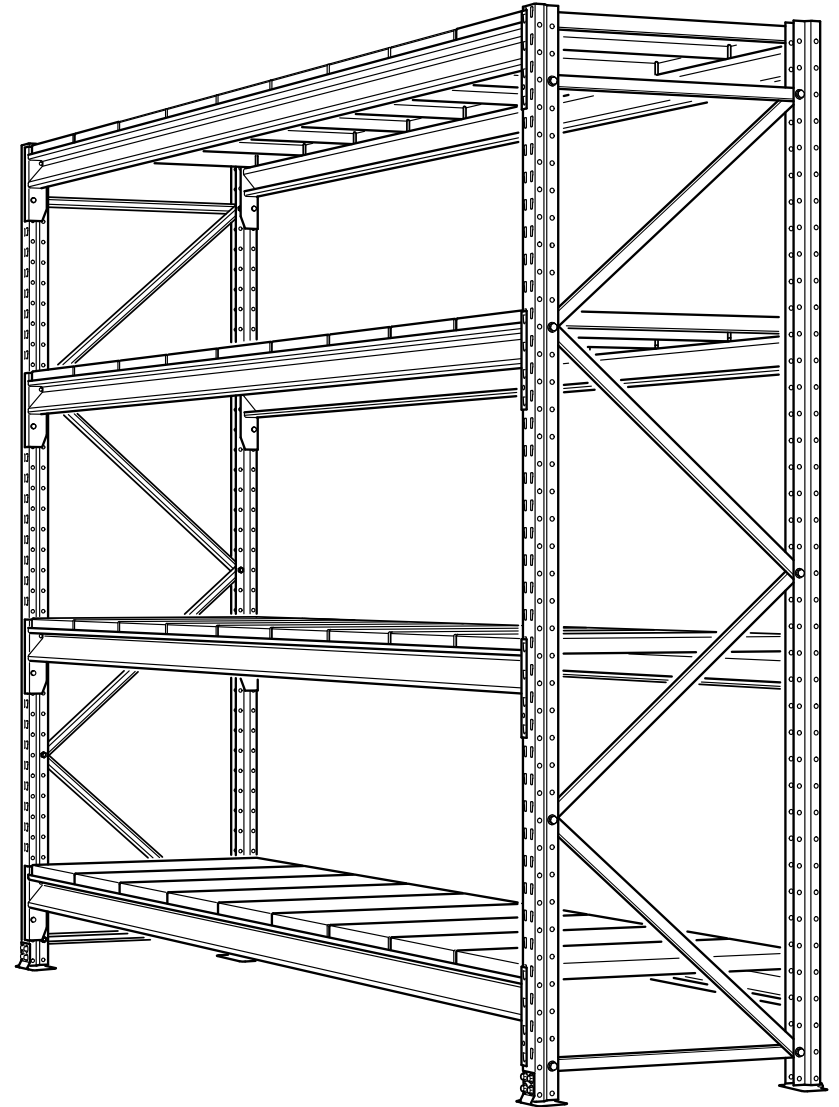
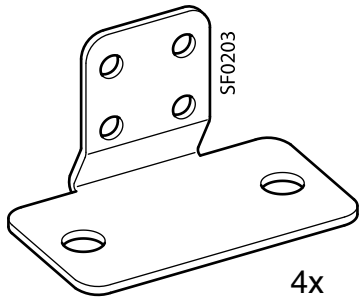
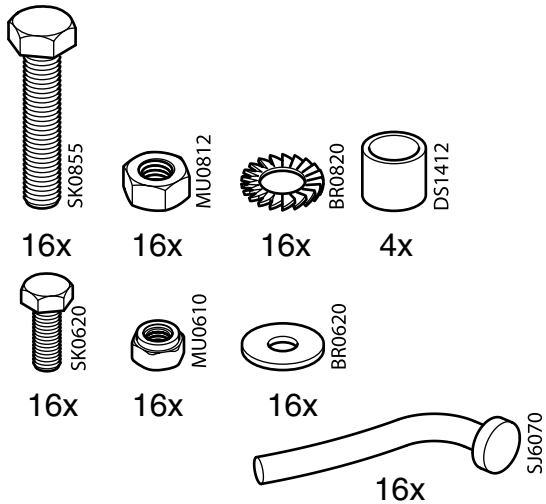
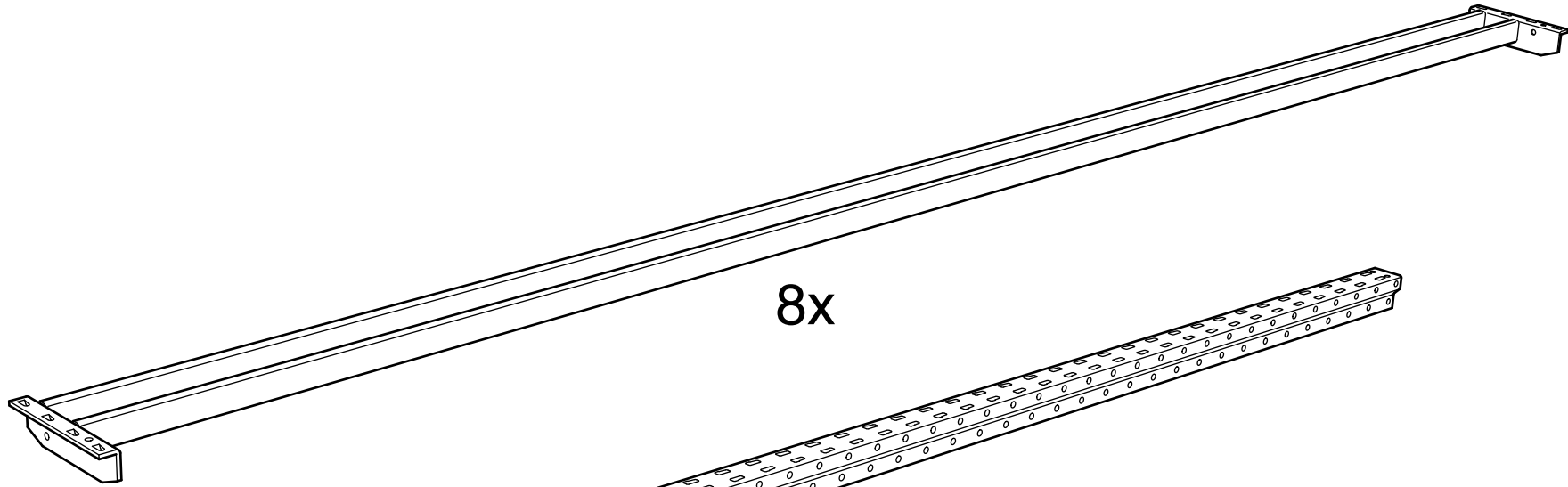
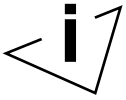


H = 2000 mm — A213094

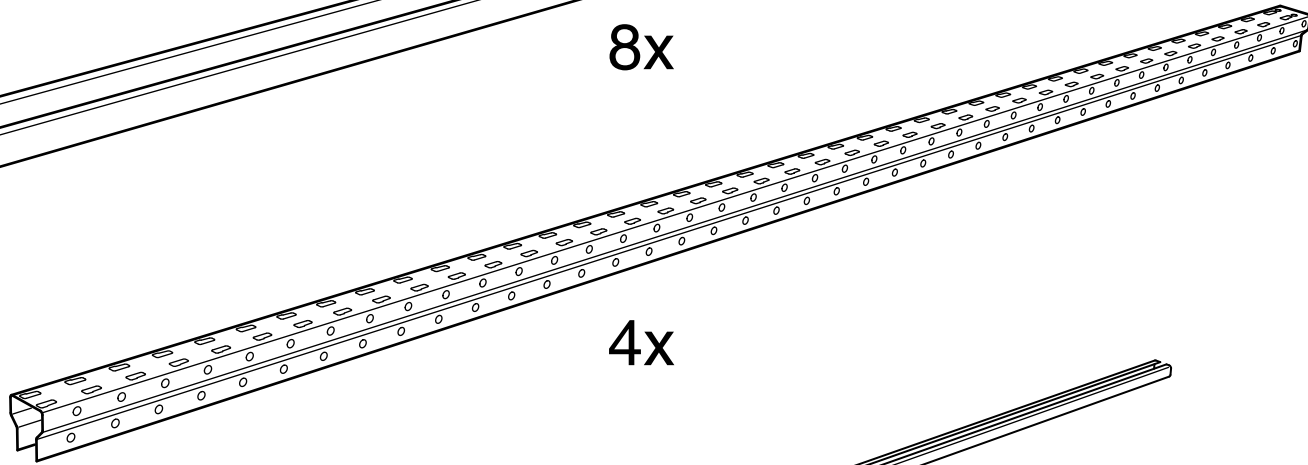


H = 2500 mm — A213095

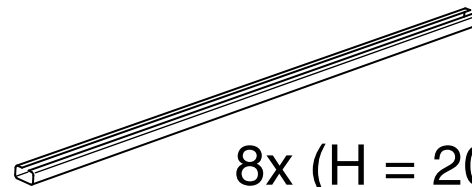




8x



4x

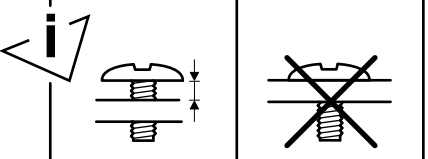
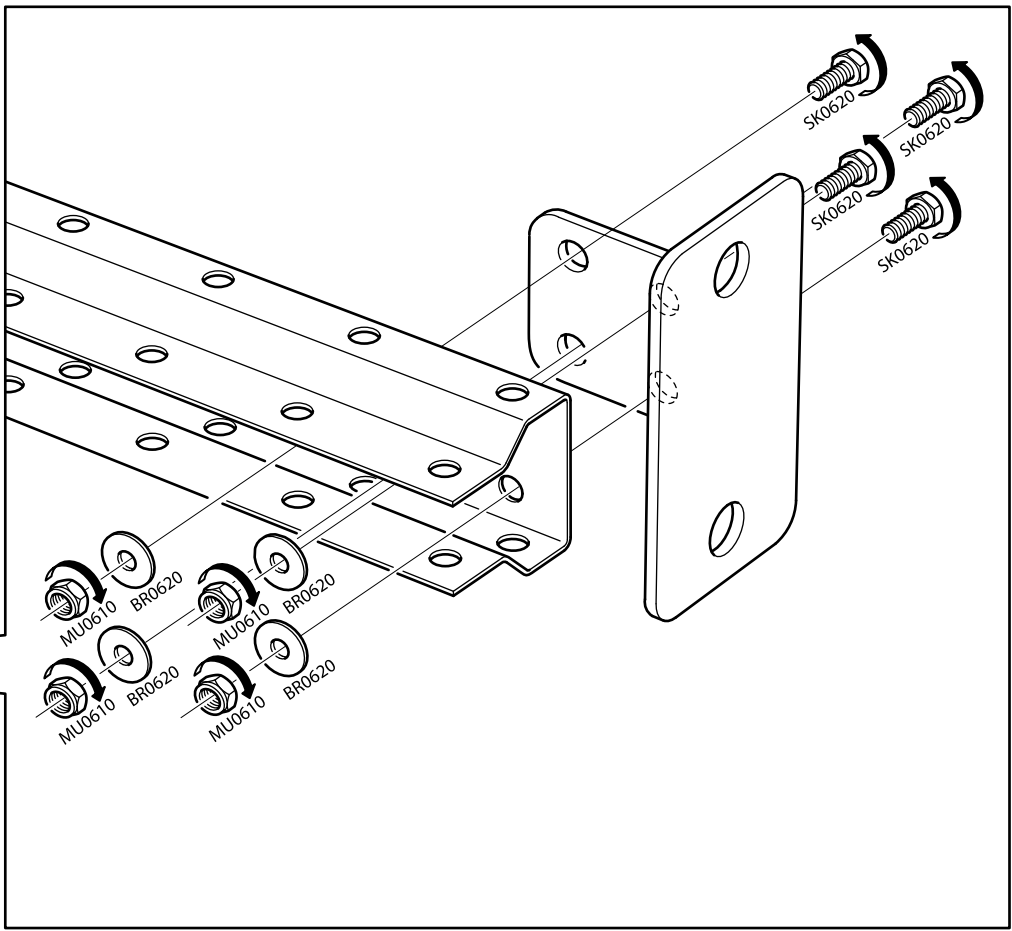
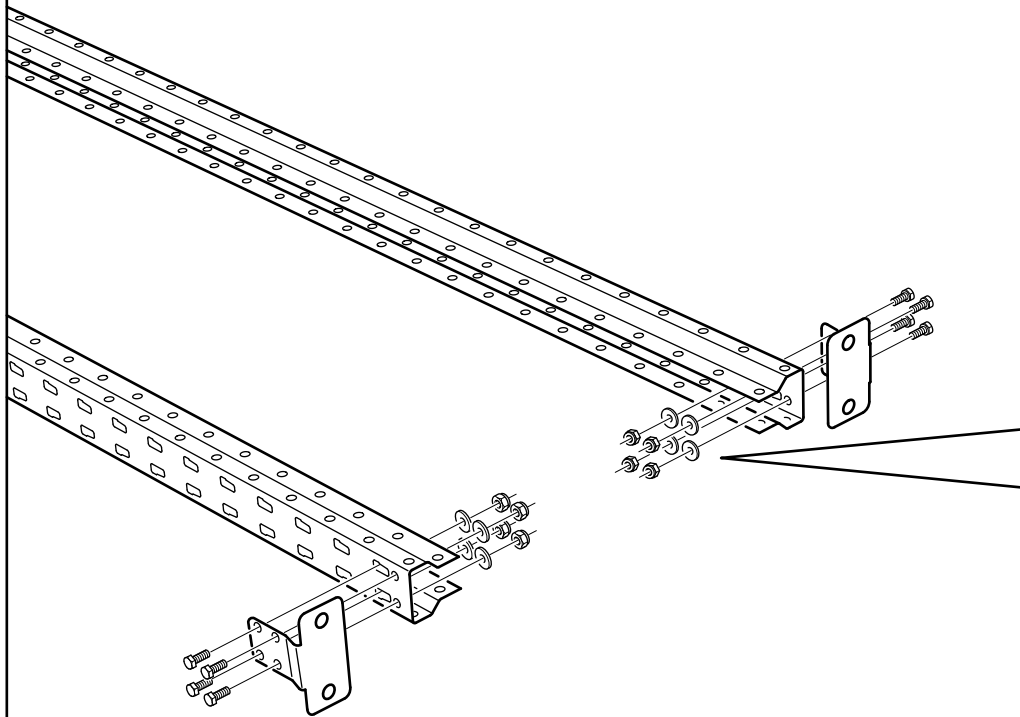


8x (H = 2000 mm)
10x (H = 2500 mm)

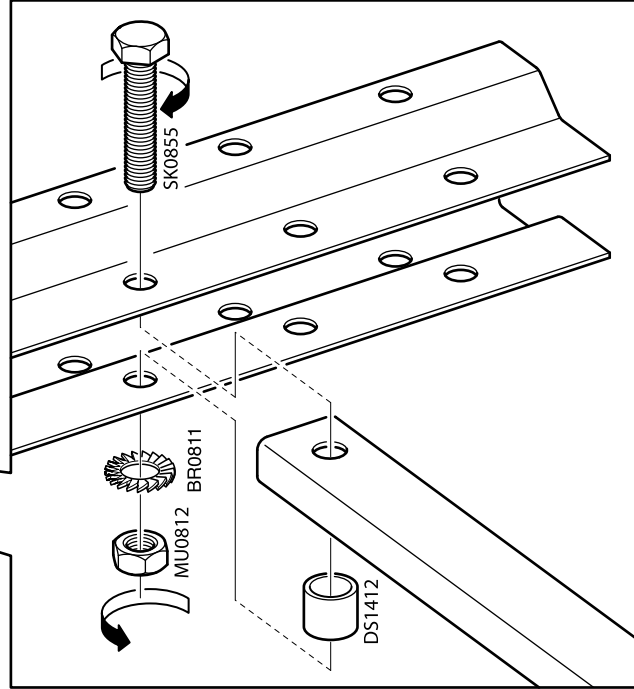
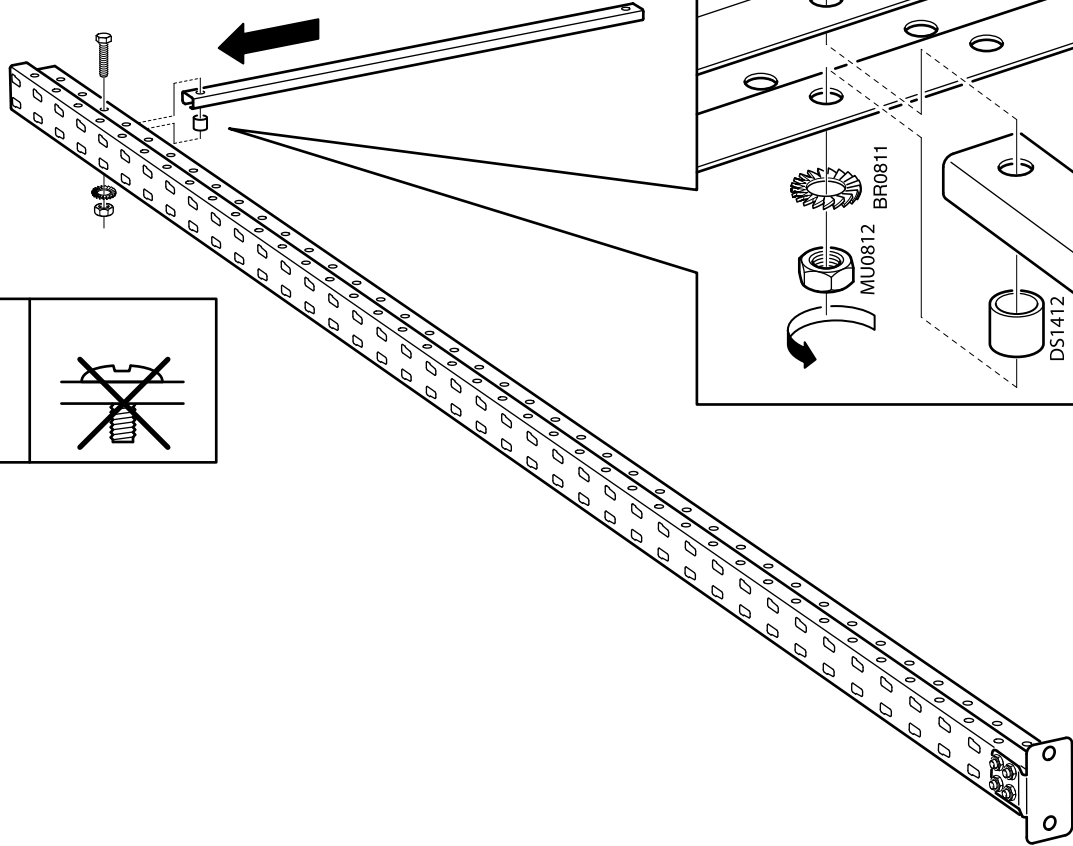
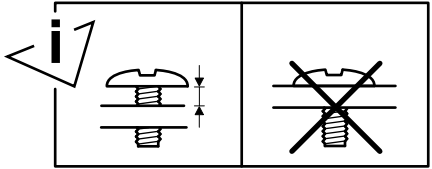


4x

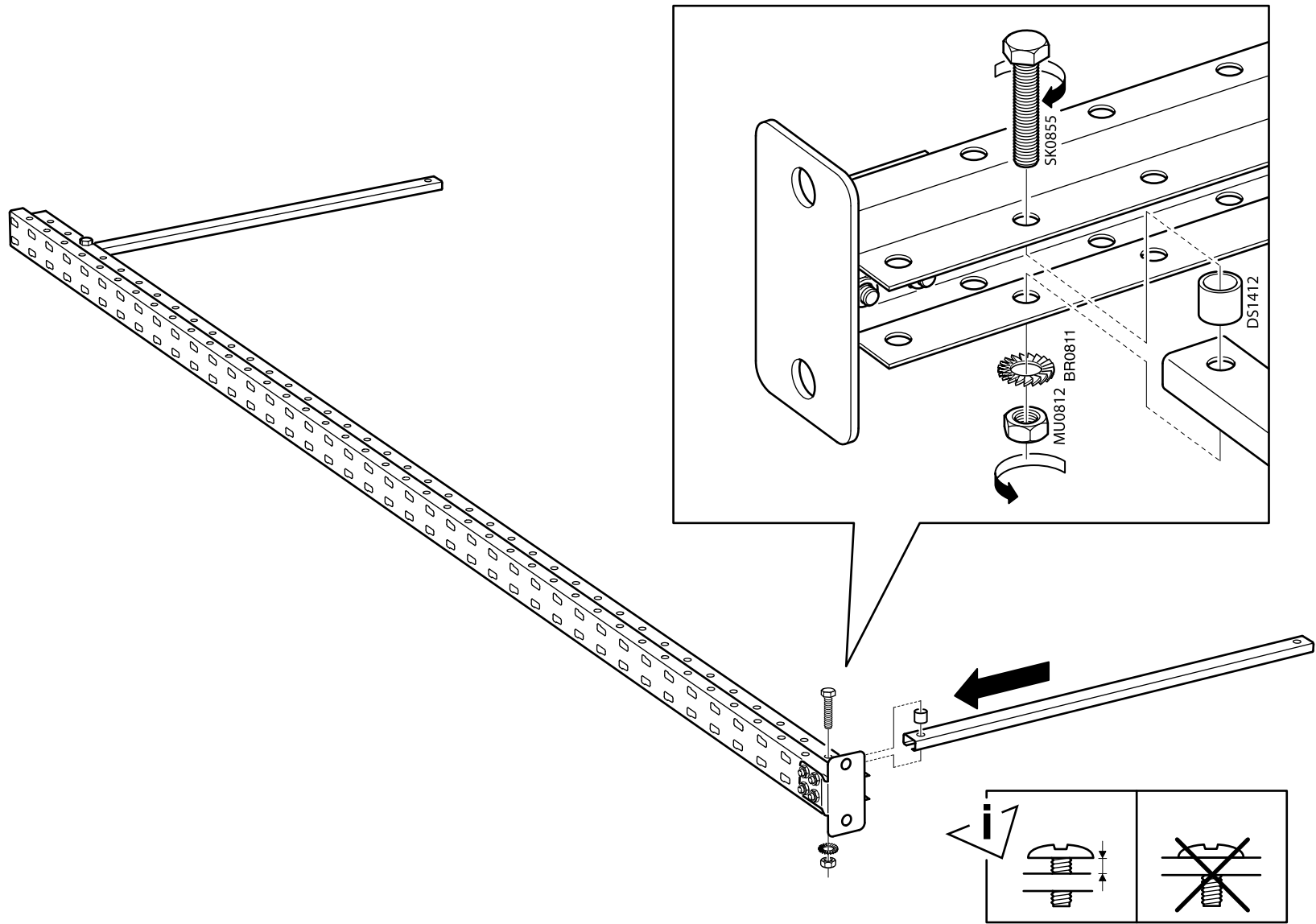
1



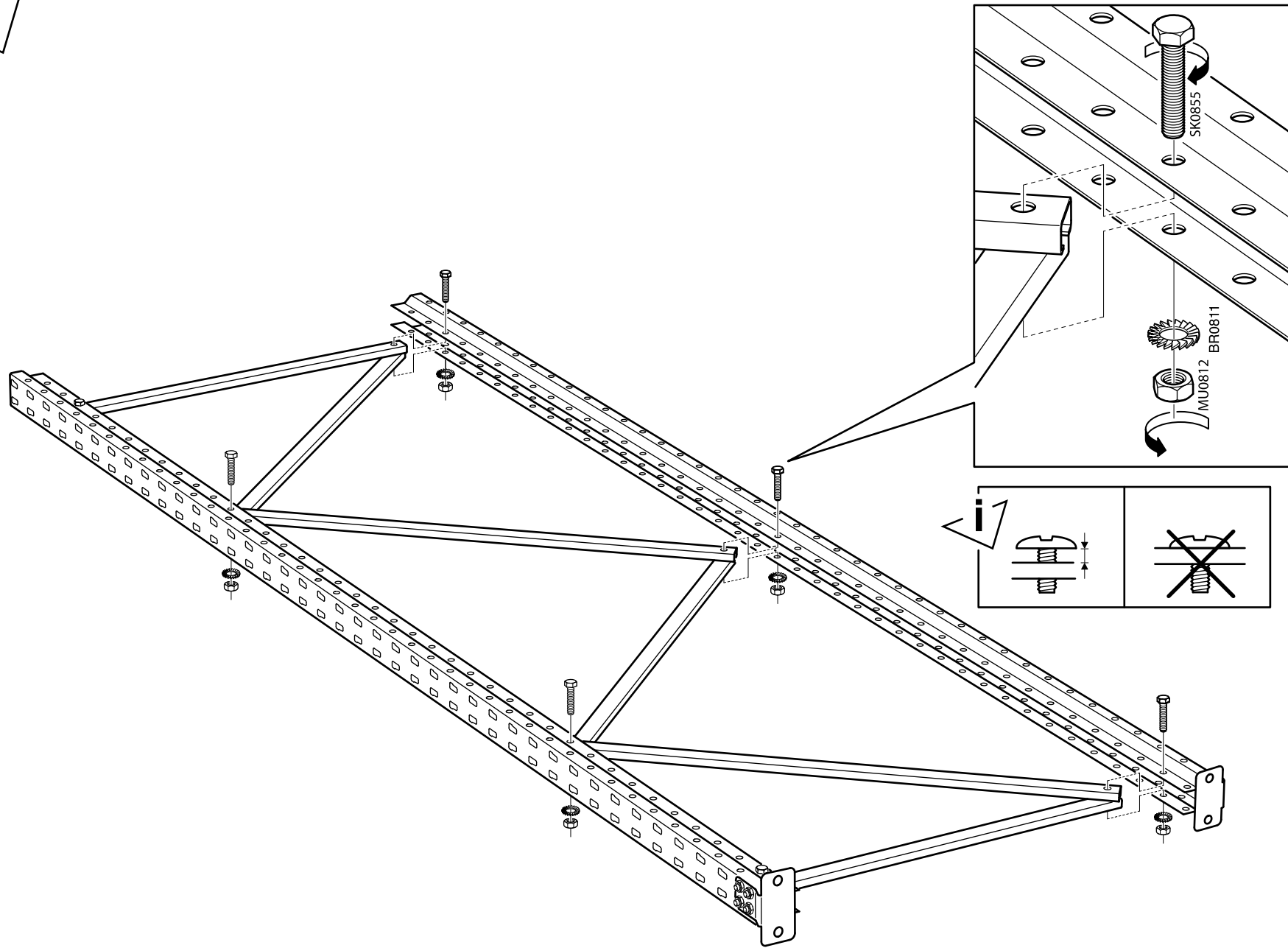
2



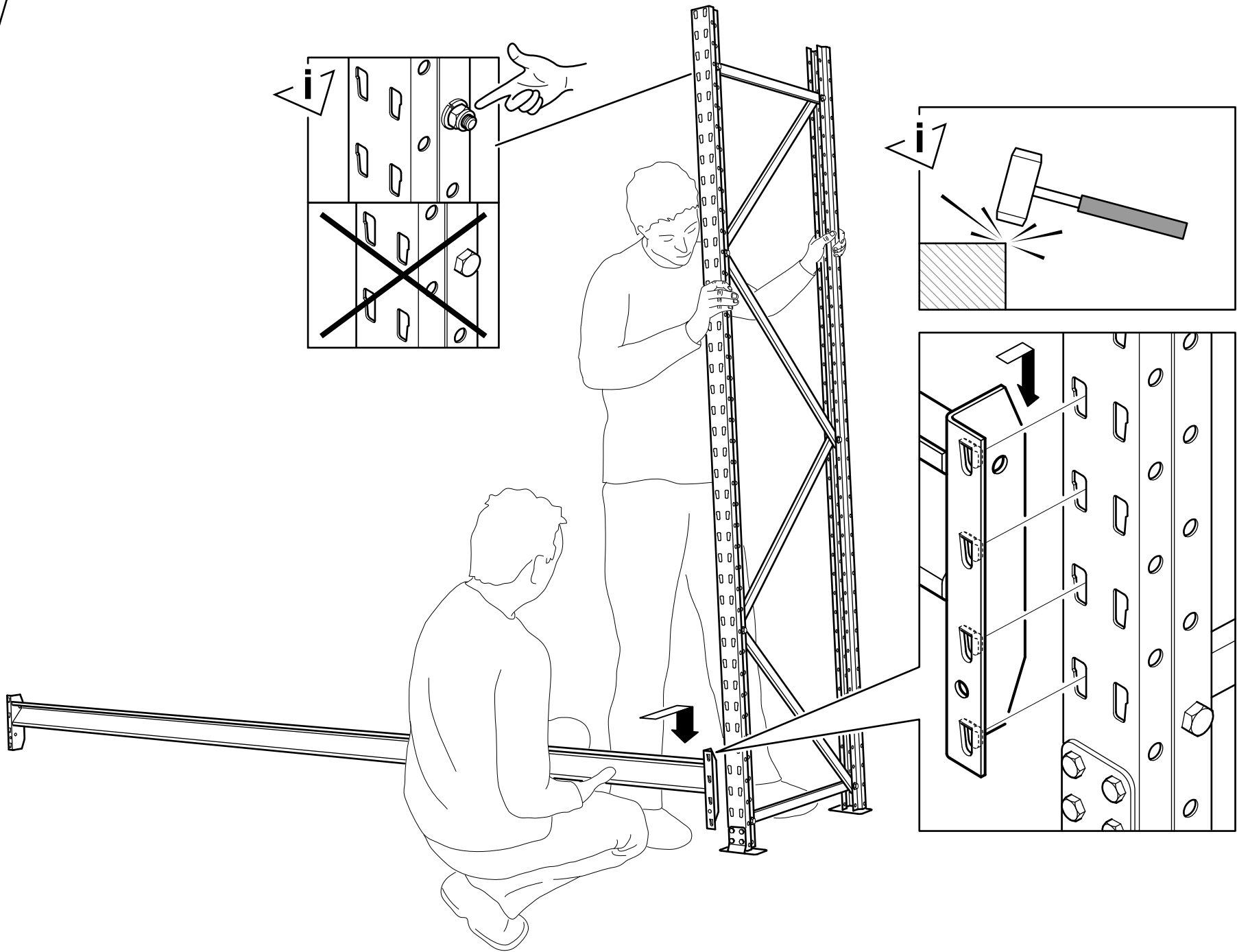
3



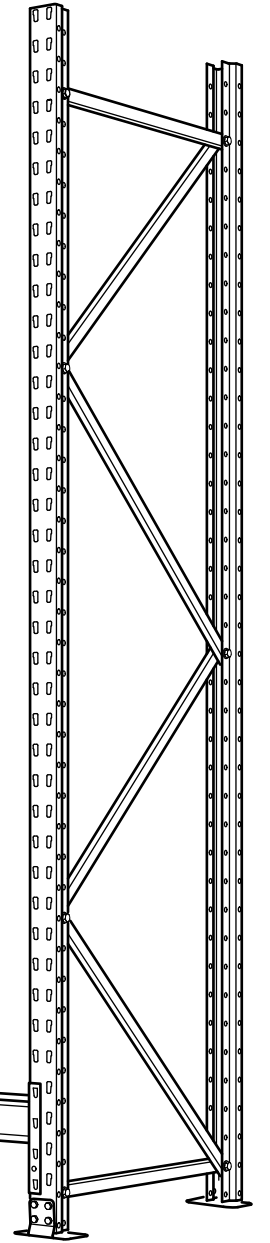
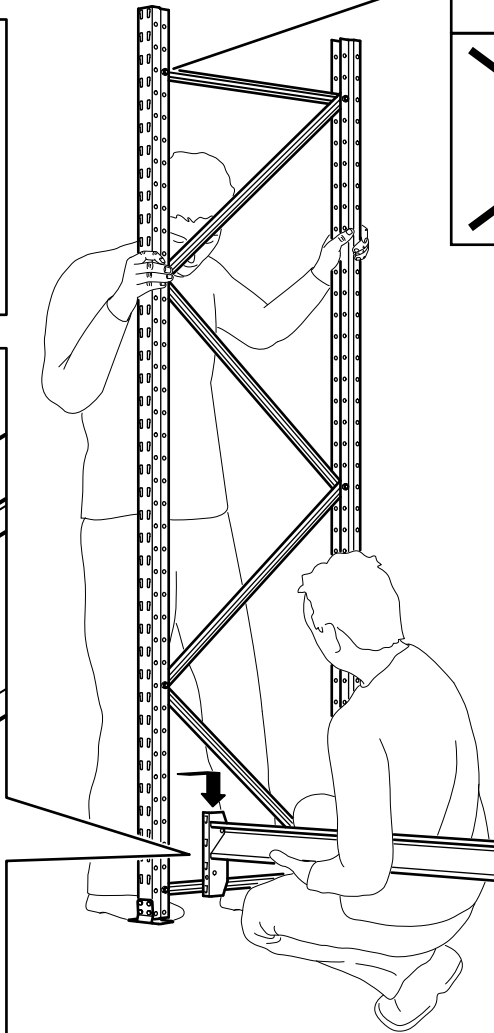
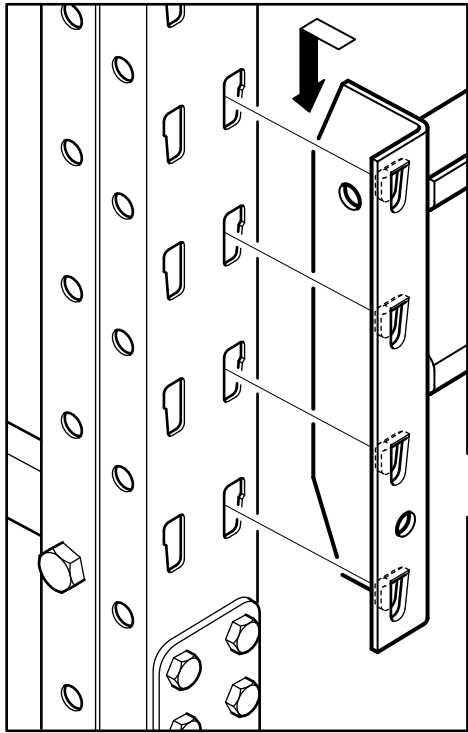
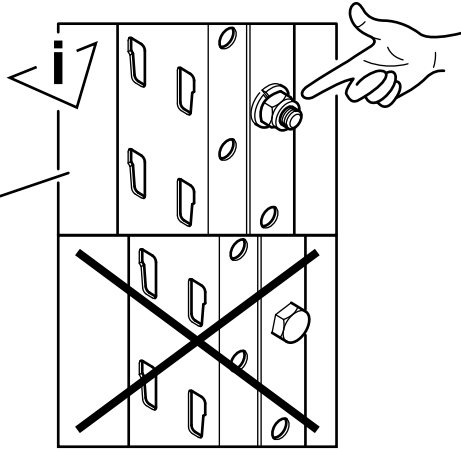
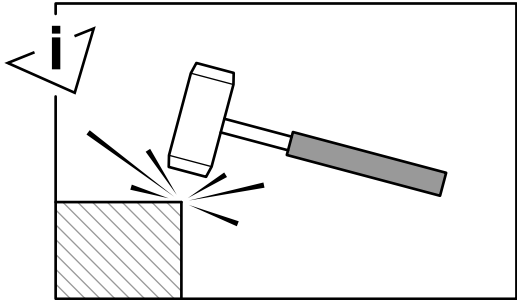
4



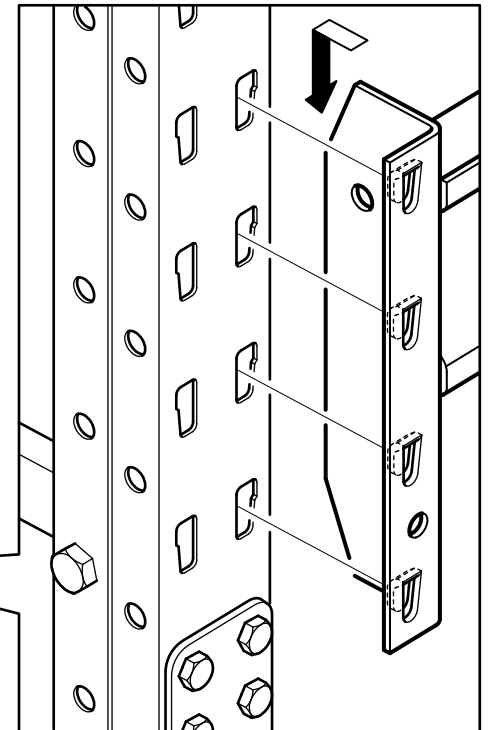
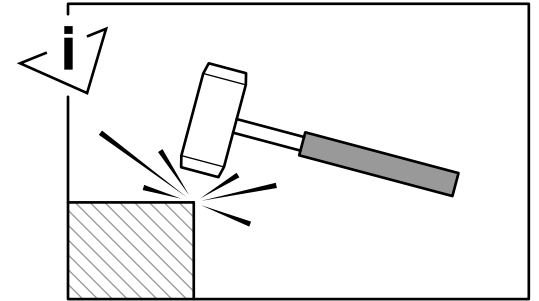
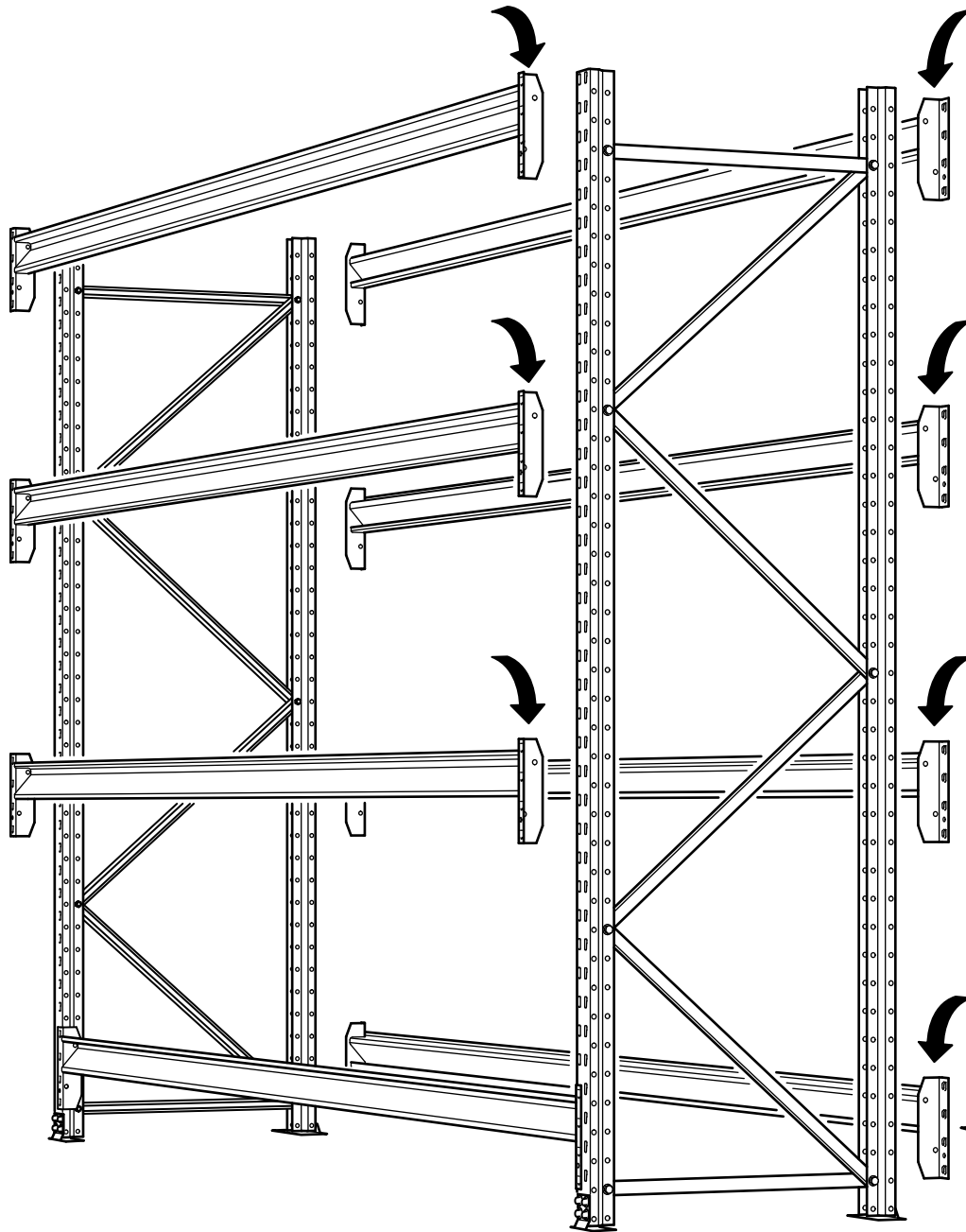
5

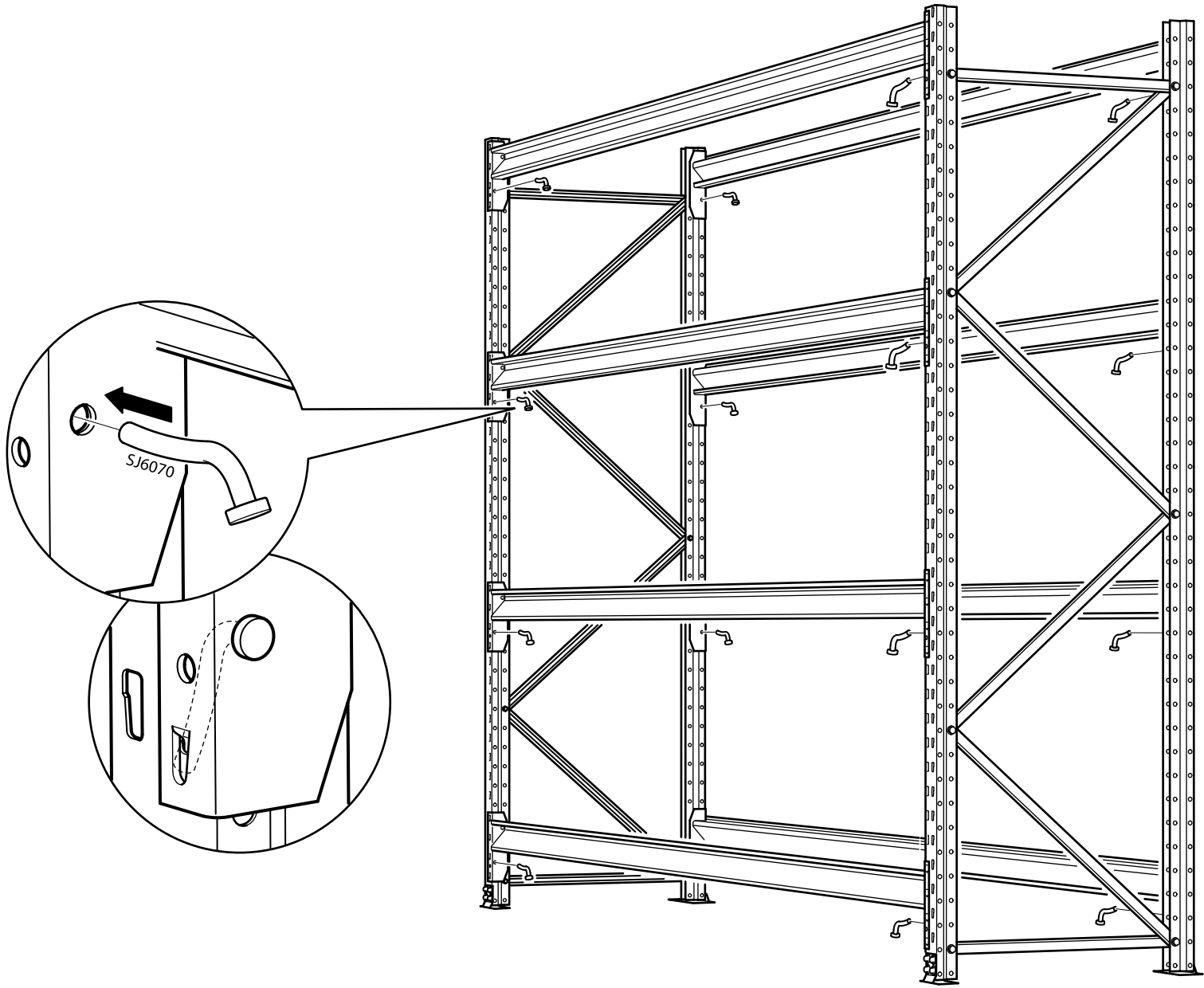


6



7





9

