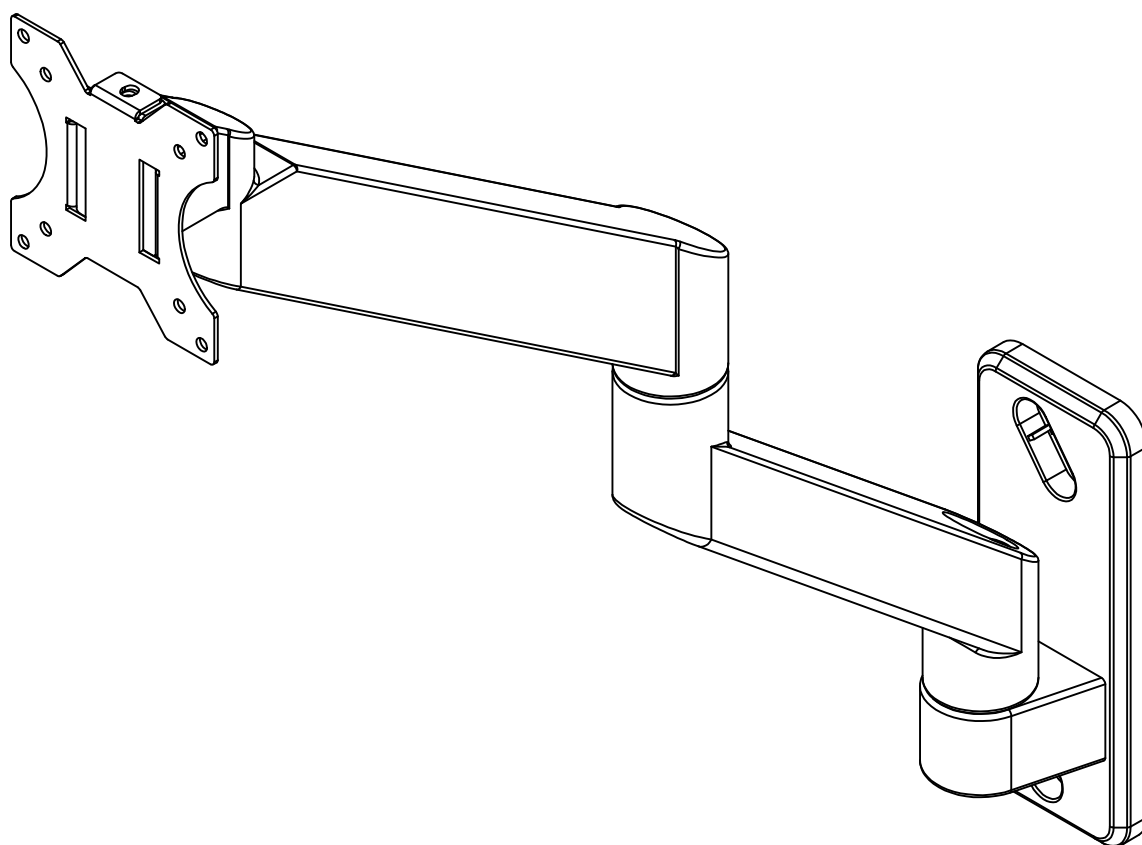
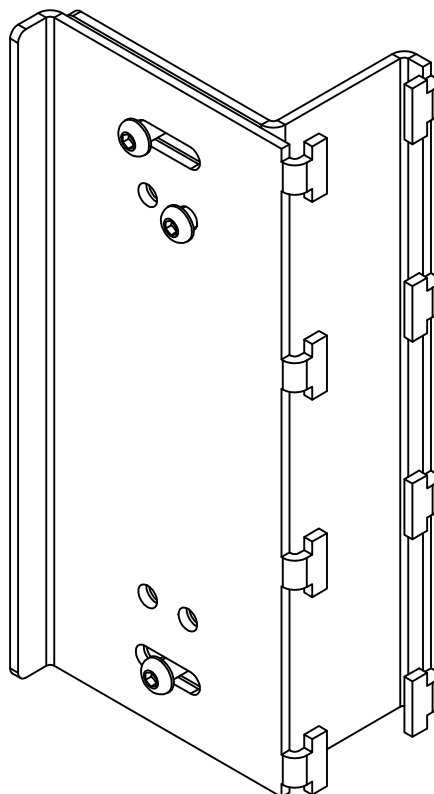
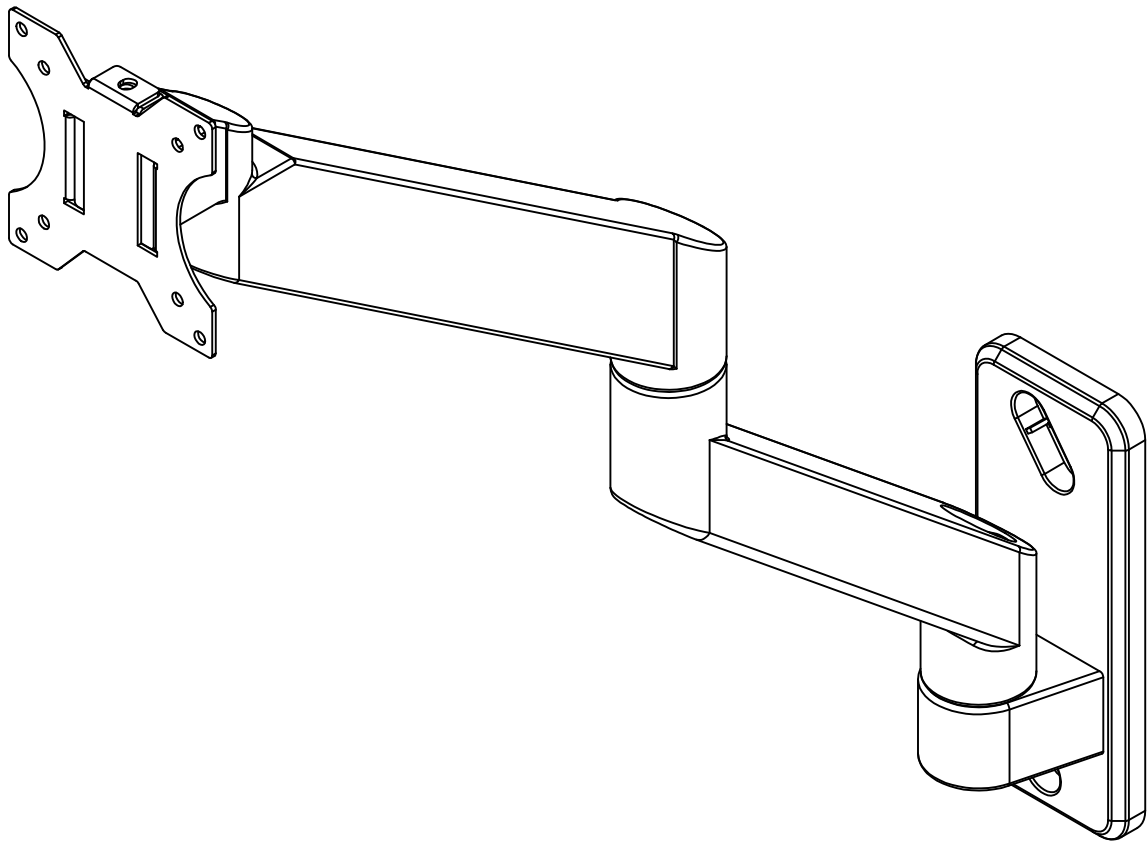


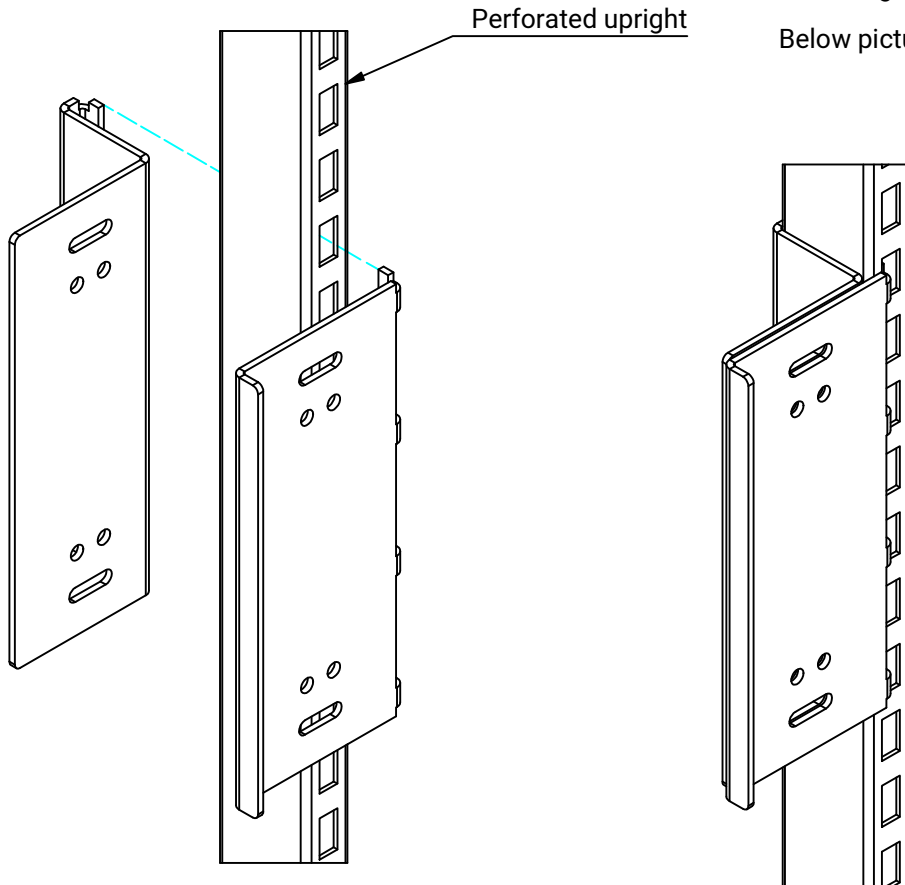
Gas spring monitor arm heavy duty





Left or right side mounting.
Below picture shows left side.

1



2

